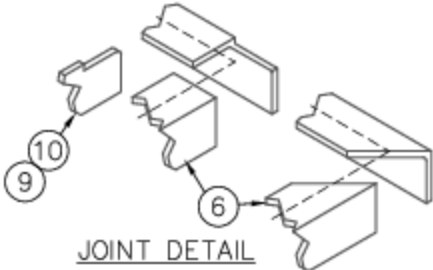
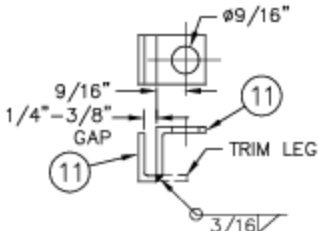


NOTCH TOP OF BRACES SO TOPS ARE FLUSH TO FRAME



JOINT DETAIL

NOTCH OR MITER CORNERS OF FRAME SO TOPS ARE FLUSH

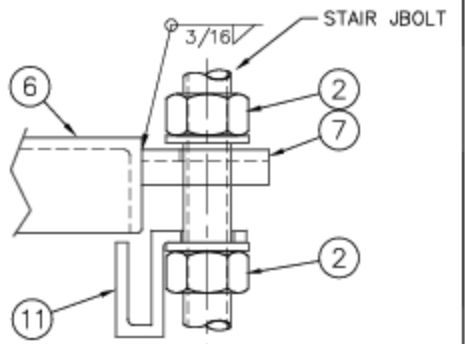
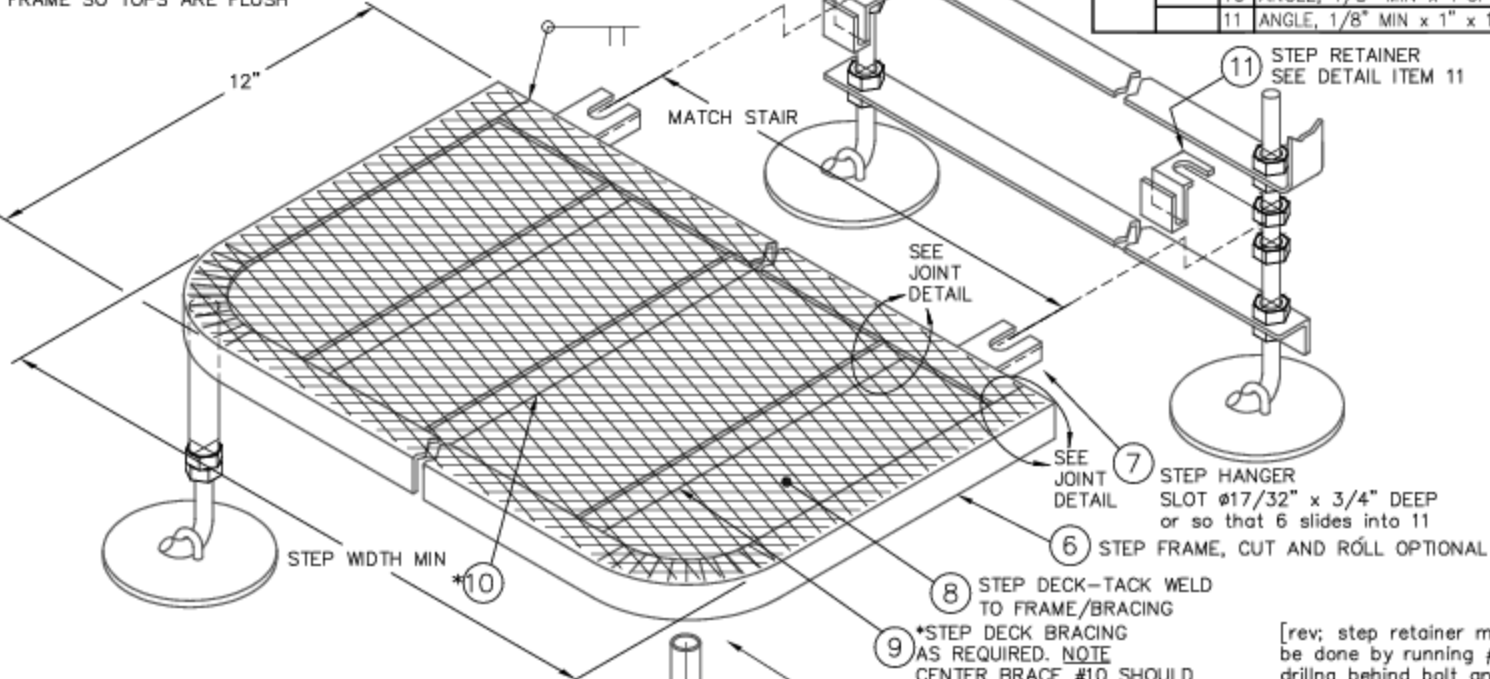


DETAIL ITEM 11
2 REQUIRED

[rev; after cutting off I think might be better & easier to leave bottom leg long notch to rest against bolts however that would capture nut? see retainer detail]

BILL OF MATERIALS

MARK	DESCRIPTION	TOTAL QTY.	SPECIFICATION	WEIGHT (TOTALS)	PURCHASING NUMBER
17-A	1 J BOLT OR EYE BOLT, 1/2-13 x AS REQUIRED (6")	2	A36	1.9#	
	2 1/2-13 NUTS, W/ FLAT WASHERS	12	-	-	
	3 HALF LINK CHAIN OR UBOLT 5/16" (1/4" MIN)	2	A36	0.08#	
	4 PLATE 3/16" x 5" (4" MIN)	2	A36	2#	
	5 PIPE, 1/2" SCH 40 (BLACK) x 4 1/2" LG	2	A53-A	0.7#	
	6 ANGLE, 1/8" MIN x 1" x AS REQUIRED (48")	1	A36	3.2#	
	7 CHANNEL, 1/8" x 1/2" x 1 1/2" x 1 1/2" LG (OPT. ANGLE 1/8" x 1" x 1" x 1 1/2" LG)	2	A36	3.2#	
	8 EXP METAL . (SM DIA) 1/4-No.18 12"x 24" (OPT. MAT.- ALUM DIAMOND PLATE ETC)	1	A36	~2#	
	9 FLAT BAR, 1/8" MIN x 1" x AS REQUIRED (12")	2	A36	0.85#	
	10 ANGLE, 1/8" MIN x 1" or 1/2" PIPE x 12" LG	1	A36	0.85#	
	11 ANGLE, 1/8" MIN x 1" x 1" LG MODIFY AS SHOWN	4	A36	0.3#	



STEP RETAINER DETAIL
ADJUST NUT AND STEP RETAINER TO APPROX. DESIRED HEIGHT. PLACE STEP MOUNT AGAINST STAIR LEG JBOLT AND SLIDE STEP ANGLE DOWN INTO RETAINER TO CAPTURE STEP. THIS PREVENTS STEP FROM MOVING AWAY FROM STAIRS. TIGHTEN TOP NUT. SHOWN IS STAIR ADJUSTED FOR MAX HEIGHT. IF LOWER, RETAINER AND (2) NUTS CAN BE PLACED ABOVE STAIR LEG HOOP.

[rev; step retainer might simply be done by running #7 longer drilling behind bolt and use a pin to secure step to stairs? strength? but as drawn has as 2 attachments prob leave as is]

DUE TO LIMITED ADJUSTABILITY, V/S STAIR ADJUSTER LEGS, LONGER STEP JBOLTS MAY NEED TO BE CARRIED, (ALLOWING FOR GREATER HEIGHT IF NEEDED.) LAYOUT FOR MIN HEIGHT

OR DRILL #4 FOR #3 PLUG WELD FROM BOTTOM

ADD SECOND PAIR OF LEGS #1-5. WELD TO REAR OF FRAME FOR OPTION TO USE WITHOUT STEP ATTACHMENT

STANDARDS:	
B	/LD

OUR ELKHORN
SAN LUIS OBISPO, CA
<http://www.ourlkhorn.liga.com/step1st2.htm>

THIS DRAWING HAS BEEN PREPARED FOR AND IS THE PROPERTY OF ME. DO NOT USE TO BUILD OR CAUSE TO CONSTRUCT ANY ITEM AND DETAIL TO BE COMMERCIALY INSISTIVE. IT IS TO BE USED ONLY IN CONNECTION WITH PERFORMANCE OF WORK BY ME, AND IS TO BE SAFEGUARDED AGAINST BOTH DELIBERATE AND INADVERTENT DISCLOSURE TO ANY DOT OR WORK. REPRODUCTION IN WHOLE OR IN PART FOR ANY PURPOSE MAY CAUSE INJURY OR DEATH, AND IS EXPRESSLY FORBIDDEN.

1	ADD REAR LEGS #3-5 OPTION USE WITHOUT STEPS	MAN/DG/SU
NO.	REVISION	BY DATE
DESCRIPTION: SCISSOR STEP AUX STEP INDIVIDUAL ARTICULATING ADJUSTERS PRELIMINARY		
SCALE: N.T.S.		REV. 1
DRAWING NUMBER		